

Our LED Neon Flex system features super bright LED's encapsulated in a flexible waterproof non yellowing silicon jacket that gives a smooth light output with no hot spots. Cuttable every 50mm, LED Neon is low on energy consumption (6 watts per metre typical on a single colour) and is an ideal cost effective replacement solution for fragile traditional glass neon tubing.

All end caps, connections and channel are included in your price. Available in 50m reels.

PRODUCT SPECIFICATIONS

COLOURS

● RED
 ● PINK
 ● BLUE
 ● YELLOW
 ● ORANGE
● GREEN
 ○ COOL WHITE
 ● WARM WHITE

LED QUANTITY

120 MODULES PER METRE

VOLTAGE

24v

POWER CONSUMPTION

● RED 6 WATTS PER METRE
 ○ COOL WHITE 6 WATTS PER METRE
● PINK 6 WATTS PER METRE
 ● WARM WHITE 6 WATTS PER METRE
● BLUE 6 WATTS PER METRE
● YELLOW 6 WATTS PER METRE
● ORANGE 6 WATTS PER METRE
● GREEN 6 WATTS PER METRE

DIMENSIONS

PER METRE x W10mm x H15mm

IP RATING

IP65

LUMENS PER METRE

RED 42 lm, PINK 11 lm, BLUE 42 lm, YELLOW 240 lm, ORANGE 138 lm
 GREEN 150 lm, COOL WHITE 252 lm, WARM WHITE 43 lm

MINIMUM BEND DIAMETER

120mm

MOUNTING

ALUMINIUM CHANNEL



METRES POWERED BY A 30W DRIVER

4.5m (27.0w)

METRES POWERED BY A 60W DRIVER

9m (54.0w)

ORDER CODES:

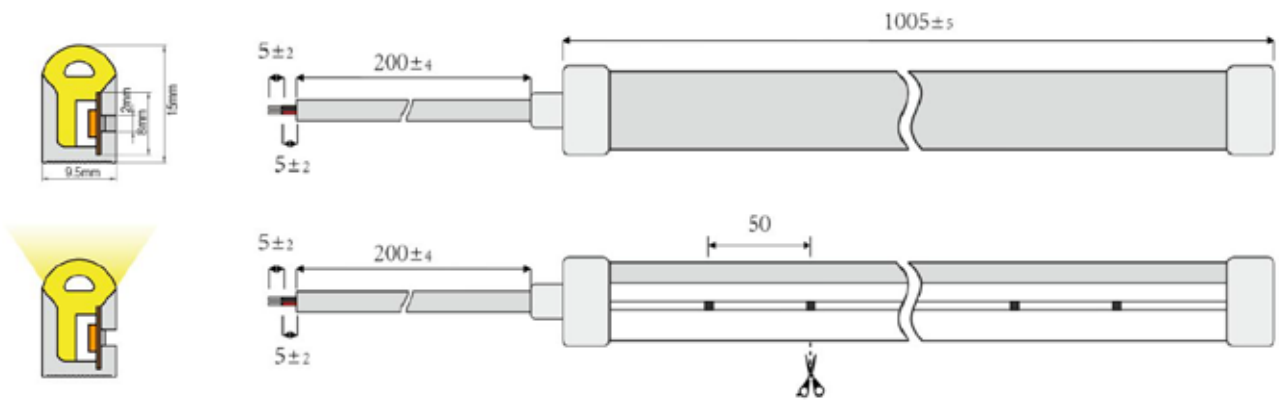
BLUE - NEON-BLUE
 RED - NEON-RED
 PINK - NEON-PINK
 YELLOW - NEON-YELLOW
 GREEN - NEON-GREEN
 ORANGE - NEON-ORANGE
 COOL WHITE - NEON-CW
 WARM WHITE - NEON-WW
 CHANNEL - NEON-CHAN
 END CAPS - NEON-END
 FRONT CAPS - NEON-FRONT
 POWER LEADS - NEON-PL
 SILICONE TUBES - NEON-WP



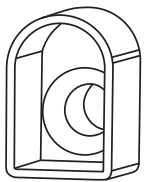
WARRANTY
1 Year



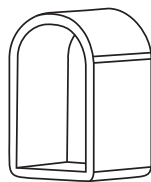
PRODUCT DIMENSIONS



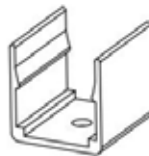
PRODUCT ACCESSORIES



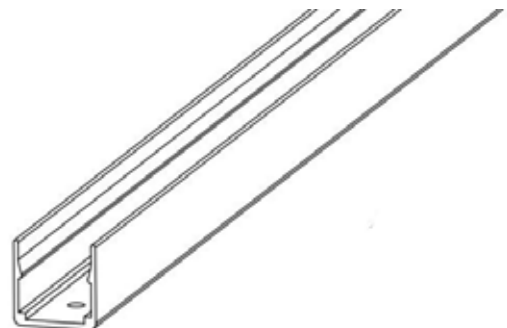
DIRECT OUTLET PLUG



END CAP



ALUMINIUM
CLIP



ALUMINIUM
PROFILE